

sapa:

buildingsystem

ARCHITECTURAL ALUMINIUM SOLUTIONS



A92 BR

Bullet resistant windows & doors

Sapa Building System



A92 BR is a thermally insulated, bullet resistant system for fixed vent, windows, inward and outward opening doors. The hollow front chamber offers the possibility to insert steel reinforcements. The system obtains the FB6(NS) classification in accordance with EN1522 standard.

Besides steel armour inserts, the system also accommodates for tubular glazing beads, special locks, unique corner cleats, safety hardware and door sills to provide an effective protection against ballistic attack.

System Features

- » A92 BR is the perfect solution for all bullet resistant applications for windows and doors with building depth of frame of 92 mm. The building depth of vent is 102 mm.
- » The system accommodates glazing of 28 - 56 mm for frame and 40 - 67 mm for vent.
- » The additional strength of a 3-chamber system with a building depth of 92 mm for the frame makes it possible to construct complex structures and large surfaces with a maximum of light penetration.
- » Corner connection by specially designed solid adjustable corner cleats with fixing screws gives the construction greater strength, rigidity and stability.
- » Different tubular glazing beads of 22 mm height and steps of 2.5 mm. Types: Classic (straight), Rustic (decorative) or Futuro (rounded).
- » Acoustic gasket

Enhanced Safety

- » The A92 BR is developed to add increased security to buildings such as banks, embassies and government buildings, police stations and firing ranges, courts and prisons, airports and congress centers, nightclubs, ...
- » A92 BR is a robust system that will discourage even the most determined intruder.
- » Bullet resistant threshold against deflection shots under the door leaf (option).
- » The system contains special bullet proof steel to stop the round or to deflect the path of the round to avoid perforation of the rear face of the profile by the bullet or part of the bullet.
- » The combination of multipoint locking, bullet proof safety glass and special hardware ensures a high resistance against forced entry. Internal tubular glazing beads prevent unclipping from the outside.
- » Safety hardware: solid turning hardware for big vent weights (300 kg for doors)



Angled shots

» A92 BR was tested officially, according to EN1523. These tests included both direct bullet impact (90 degree) and angled shots, in accordance with the test method in accredited test laboratories. Especially the successful test with angled shots are very important because of the weak points at the different seams between profile and glass.

» Aluminium extrusion profiles with two armour steel inserts designed to be bullet resistant to EN 1522: FB6(NS) classification

Saving energy

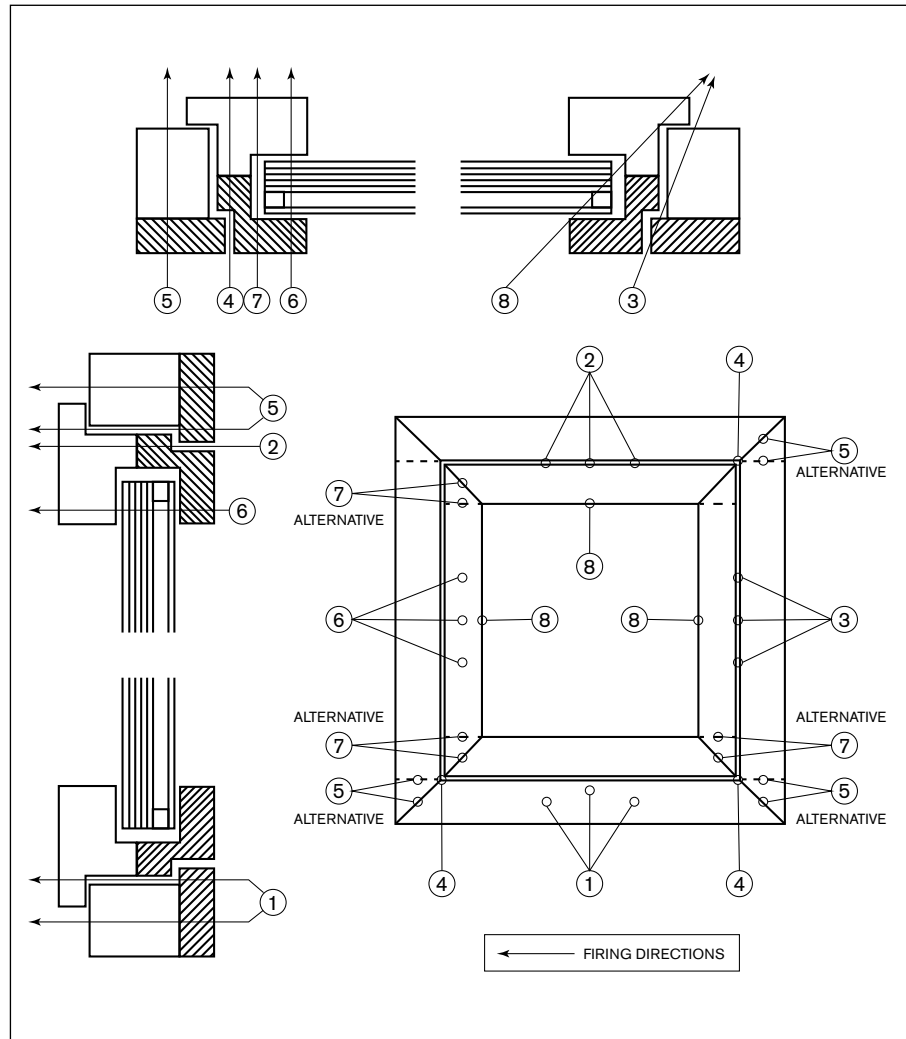
» A92 BR includes several weather barriers by means of specially designed gaskets, a large decompression chamber and internal drainage to assure perfect weather resistance.

- » Bullet resistant in combination with double glazing.
- » Inward opening vents connect to a solid central gasket for enhanced thermal and acoustic performance.
- » Glazing with adapted EPDM sealing gaskets.
- » Well-considered drainage avoids infiltration of water under the central sealing gasket (windows)
- » Efficient chamber for pressure leveling which provides better water tightness

Easy fabrication

» A92 BR belongs to Eurosystem. It is complementary to other Eurosystem series and results in modularity between systems. This allows fabricators to keep a minimal stock to solve a maximum of solutions and to offer a maximum service

- » Outer profile for clamping hardware according to the European standard.
- » Groove for placement of armour, for coupling elements.
- » The Euronut groove accommodates all standard hardware
- » Sapa Building System offers its software Sapalogic, an open concept for automation, to fabricators who have a CNC machining center



Aluminium construction EN 1522	Glass EN 1063	Calibre
FB1	BR1	.22 LR
FB2	BR2	9 mm Luger
FB3	BR3	0.357 Magnum
FB4	BR4	.44 Remington & Magnum
FB5	BR5	5.56 x 45
FB6	BR6	7.62 x 51
FB7	BR7	7.62 x 51

Class	Type of weapon	Calibre	Bullet type	Bullet mass (g)	Test range (m)	Bullet velocity (m/s)
FB1	Rifle	.22 LR	L/RN	2.6 +/- 0.1	10 +/- 0.5	360 +/- 10
FB2	Hand gun	9 mm Luger	FJ ⁽¹⁾ /RN/SC	8.0 +/- 0.1	5 +/- 0.5	400 +/- 10
FB3	Hand gun	0.357 Magnum	FJ ⁽¹⁾ /CB/SC	10.2 +/- 0.1	5 +/- 0.5	430 +/- 10
FB4	Hand gun	.357 Magnum .44 Magnum	FJ ⁽¹⁾ /CB/SC FJ ⁽²⁾ /FN/SC	10.2 +/- 0.1 15.6 +/- 0.1	5 +/- 0.5 5 +/- 0.5	430 +/- 10 440 +/- 10
FB5	Rifle	5.56 x 45*	FJ ⁽²⁾ /PB/SCP1	4.0 +/- 0.1	10 +/- 0.5	950 +/- 10
FB6	Rifle	5.56 x 45* 7.62 x 51	FJ ⁽²⁾ /PB/SCP1 FJ ⁽²⁾ /PB/SC	4.0 +/- 0.1 9.5 +/- 0.1	10 +/- 0.5 10 +/- 0.5	950 +/- 10 830 +/- 10
FB7	Rifle	7,62 x 51**	FJ ⁽²⁾ /PB/HC1	9,8 +/- 0,1	10 +/- 0,5	820 +/- 10

L : lead
 FJ : full metal jacket bullet
 HC1 : steel hard core, mass (3.7 +/- 0.1) g, hardness more than 63 HRC
 RN : round nose
 SCP1 : soft core (lead) and steel penetrating (type SS109)
 CB : coned bullet
 FN : flat nose
 PB : pointed bullet
 SC : soft core (lead)

* To achieve the stated values for (5.56 x 45), the recommended barrel twist length equals (178 +/- 10) mm.
 ** To achieve the stated values for Class FB7, the recommended barrel twist length equals (254 +/- 10) mm.
 note 1: When a shot is to be fired from a single point, the test range may be reduced to achieve the firing accuracy as defined in section 6 of EN 1523:1988.
 In this case it may not be possible to measure the velocity of the bullet.
 note 2: To be classified FB4 or FB6, the specimen shall be tested with both calibers listed.



Environment

- » All Sapa profiles are easily cleaned
- » Aluminium does not rust, rot or tear and the shape does not deform
- » Aluminium is a green product. It can be recycled infinitely without quality loss

Finishes

- » Over 400 powder coated paint colours in matt, gloss or satin
- » Unique wood effect, textured and textured metallic ranges are available.
- » Anodised finish is also an option
- » Accessories can be supplied in corresponding colours to match the profiles.
- » The polyamide thermal break allows bi-colour finishes. As a result, the exterior building requirements do not infringe the interior design requests.
- » Our surface finishes meet the highest standards of Qualicoat or Qualanod

Project support & service

- » Sapa Building System's experienced Project Team will advise you on the best product solutions.
- » We can help you with pricing, strength calculations, thermal simulations, etc..
- » Specific project solutions can be developed.
- » Samples, catalogues, technical specifications and digital drawings are available.

Sapalogic is a user-friendly calculation program for fast, efficient and complete calculation of windows, doors, structures, curtain walls and conservatories. Sapalogic is very much complete but modular still: the different versions can be adapted to your company's needs.

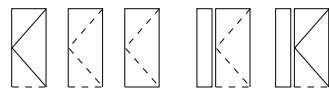
SapaThermic is detailed thermal simulation software for doors, windows, sliding systems and curtain walls. It can either be linked to Sapalogic or act as a stand-alone version.

Applications

Windows



Doors



----- : inward opening ——— : outward opening

Dimensions

Min. sightline fixed frame	63 mm
Min. sightline window with inward opening vent	122 mm
Min. sightline inward opening door	154 mm
Min. sightline outward opening door	154 mm
Min. sightline transom	98 mm
Profile depth frame / Building depth	92 mm
Profile depth vent	102 mm
Max. window (width x height)	1400 x 1800 mm
Max. door (width x height)	1200 x 2500 mm

Glazing

Rebate height	22 mm
Infill thickness fixed frame	28 - 56 mm
Infill thickness vent frame (window)	40 - 67 mm
Infill thickness vent frame (door)	24 - 56 mm
Glazing method	dry glazed with EPDM gaskets

Performances

Thermal insulation	$U_f = 2,49 \text{ W/m}^2\text{K}$	EN ISO 10077-2	
Forced entry resistance (windows)	class 2	ENV 1627 - 1630	
Bullet resistance	type	armour (W x H)	achieved class
	fixed window	Secure 500 2 x 4 mm steel	FB6 NS
	connection between 2 frames	Secure 500 2 x 4 mm steel	FB6 NS
	turn window	Secure 500 2 x 4 mm steel	FB6 NS
	fixed window with T-connector	Secure 500 2 x 4 mm steel	FB6 NS
	inward opening door	Secure 500 2 x 4 mm steel	FB6 NS
	outward opening door	Secure 500 2 x 4 mm steel	FB6 NS

This information is only an indication. For more information, please consult your local Sapa Building System branch.



Sapa Building System, is one of the largest suppliers of aluminium building systems in Europe and is part of the Swedish group Sapa. The core business is the development and distribution of aluminium profile systems. Sapa Building System aims for well-developed systems and project solutions offering a tangible added value to fabricators, architects, investors and home-owners.

Windows and Doors

Sliding Systems

Curtain Walls

Conservatories

Balustrades, gates and others

BIPV

Your local Sapa Building System fabricator

Sapa Building System NV

Postal address **Industrielaan 17, BE-8810 Lichtervelde** Tel. **+32 51 72 96 66** Fax **+32 51 72 96 89**

Postal address **Industriezone Roosveld 11, BE-3400 Landen** Tel. **+32 11 69 03 11** Fax **+32 11 83 20 04**

E-mail **buildingsystem.be@sapagroup.com** Website **www.sapabuildingsystem.be**